

## ■PG104 Series

### Features 特点

- Susing flat wire, and SMD type. 采用扁平线，贴片类型
- Low radiation noise by magnetically shielded construction  
闭合磁路封装，低辐射
- High current, Low resistance. 大电流，低电阻
- Operating temperature : -40°C~+125°C. 工作温度: -40°C~+125°C
- Tape and reel packaging: -40°C to +80°C 卷带包装: -40°C 至 +80°C
- Resistance to soldering heat Max three 40 second reflows at +260°C, parts cooled to room temperature between cycles  
耐焊接热最多三个 40 秒回流 +260°C, 部件在循环之间冷却至室温
- Moisture Sensitivity Level (MSL) 1 (unlimited floor life at <30°C / 85% relative humidity)  
湿气敏感度等级 (MSL) 1 (在 <30°C 时的无限车间寿命/ 85% 相对湿度)



### Applications 应用

- high efficiency DC/DC converters. 高效 DC/DC 转换器
- Single and polyphase buck converters. 单相、多相降压转换器
- Filter for audio applications. 音频滤波应用
- Optimized for high current boost applications. 大电流升压应用优化

### Electrical characteristics 电气特性

Part number	①Inductance μH±20%	②DC resistance mΩ		③SRF typical MHz	④Isat A typical			⑤Irms A typical	
		typ	max.		10% drop	20% drop	30% drop	20°Crise	40°Crise
PG104-151ML	0.15	0.58	0.64	257	24	44	58	43	56
PG104-331ML	0.33	1.1	1.22	170	18	32	37	30	42
PG104-561ML	0.56	1.61	1.78	100	17	27.5	35	25	36
PG104-102ML	1.0	3.3	3.65	80	16	24	31	19	23
PG104-152ML	1.5	5.3	5.83	63	13	19	25	16	18
PG104-222ML	2.2	7.3	10.1	53	12	17.6	22.8	13	15
PG104-282ML	2.8	10.6	11.7	46	9.2	14.5	19.5	9	12
PG104-432ML	4.3	14.1	15.5	33	9	13	17	8	11
PG104-562ML	5.6	20.6	22.66	30	7	10	14	5	8.3
PG104-682ML	6.8	22.2	24.5	25	6.2	9.8	12	4.8	8

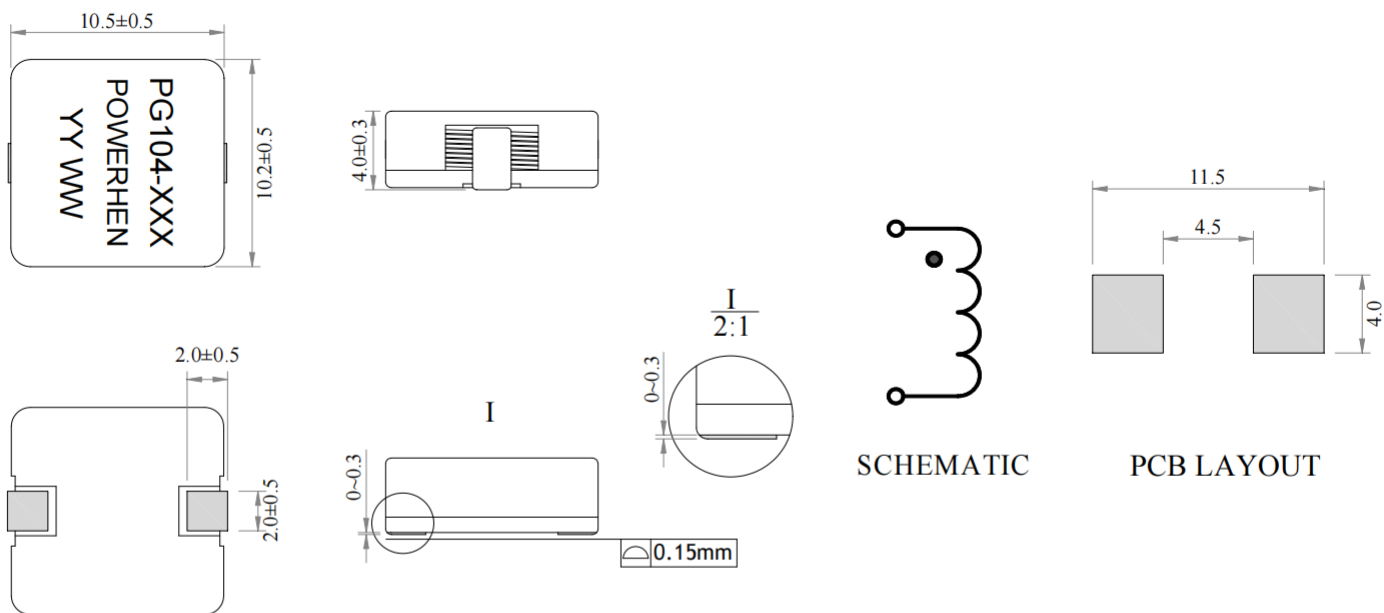
### Remark

- ①Inductance is measured with a LCR meter Agilent 4284A or equivalent.  
Test frequency at 100kHz
- ②DC resistance is measured with Keithley 580 Milliohm Meter, or equivalent.  
Reference ambient temperature 25°C
- ③SRF measured using an Agilent 4395A network analyzer and an Agilent 16193A test fixture.
- ④DC current at 25°C that causes the specified Inductance drop from its value without current.
- ⑤Current that causes the specified temperature rise from 25°C ambient. This information is for reference only and does not represent absolute maximum ratings.
- ⑥Electrical specifications at 25°C

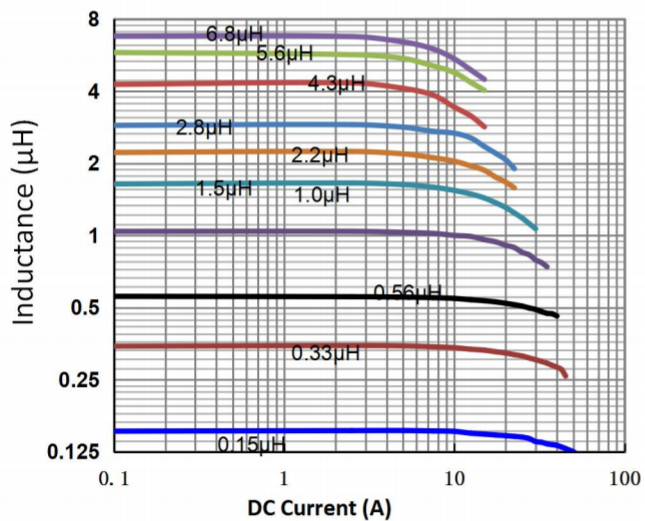
### 备注

- ①电感量测试采用 Agilent 4284A 数字电桥或同等仪器；  
测试频率 100KHz
- ②直流电阻测试采用 Keithley 580 毫欧表或同等仪器；  
环境温度 25°C
- ③SRF 使用 Agilent 4395A 网络分析仪和 Agilent 16193A 测试夹具测量。
- ④直流电流在 25°C，加载导致指定电感从没有电流的值下降。
- ⑤导致指定温度从 25°C 环境温度上升的电流。  
此信息仅供参考，不代表绝对最大额定值。
- ⑥25°C 时的电气规格

Dimensions 结构尺寸

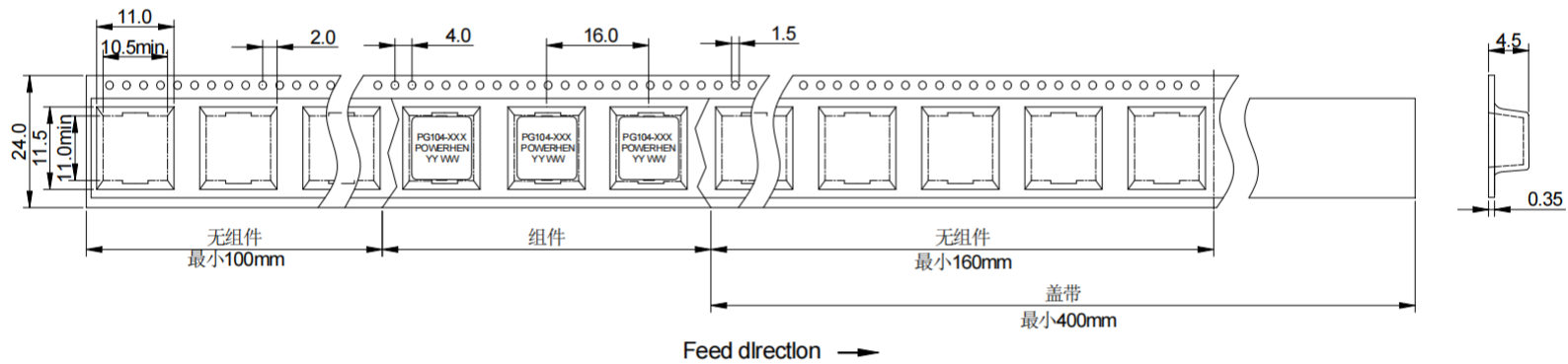
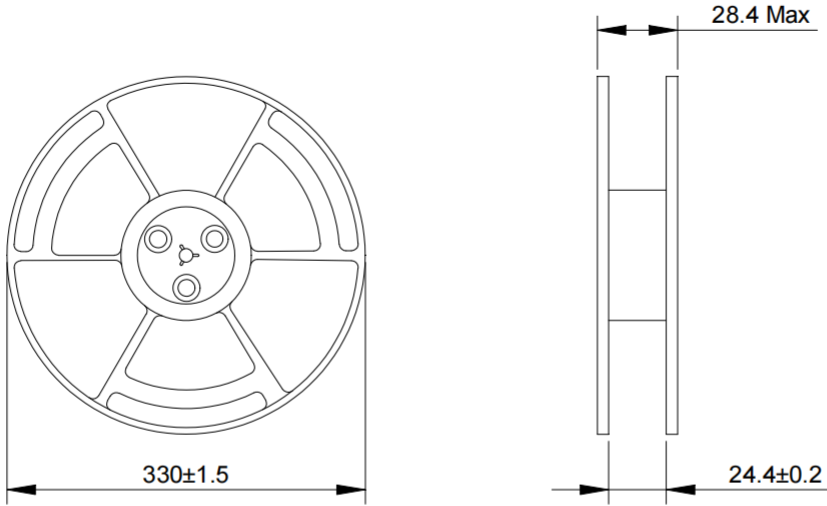


Electrical Characteristic Curve 电气特性曲线



■ Packaging Specification - Tape and Reel: [mm]

包装规格 - 卷带包装: [mm]



Weight 重量: 1.88~2.12g/PCS

Packaging 包装数量: 800 PCS/Reel