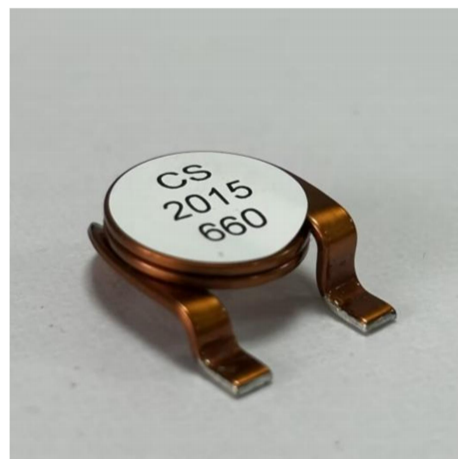


## Features

- Air-core. No magnetic saturation.  
空心线圈，不会磁饱和。
- SMD type. Easy to install.  
贴片类型，易于安装。
- RoHS compatible.  
符合环保要求。
- Operating temperature : -40°C~+220°C.  
工作温度：-40°C~+220°C



## Electrical characteristics 电气特性

Part number 料号	Inductance 电感量 nH±20%	DCR 直流电阻 mΩ		quality factor 品质因数		SRF 自谐频率 (MHz)	I <sub>rms</sub> 温升电流 (A)		Height 高度(mm) max
		typ	max	Q	频率(MHz)		20°C rise	40°C rise	
CS2015-330ML	33	0.53	0.62	456	100	817	30.2	42.0	6.35
CS2015-660ML	66	0.75	0.9	404	100	436	27	38.5	7.09

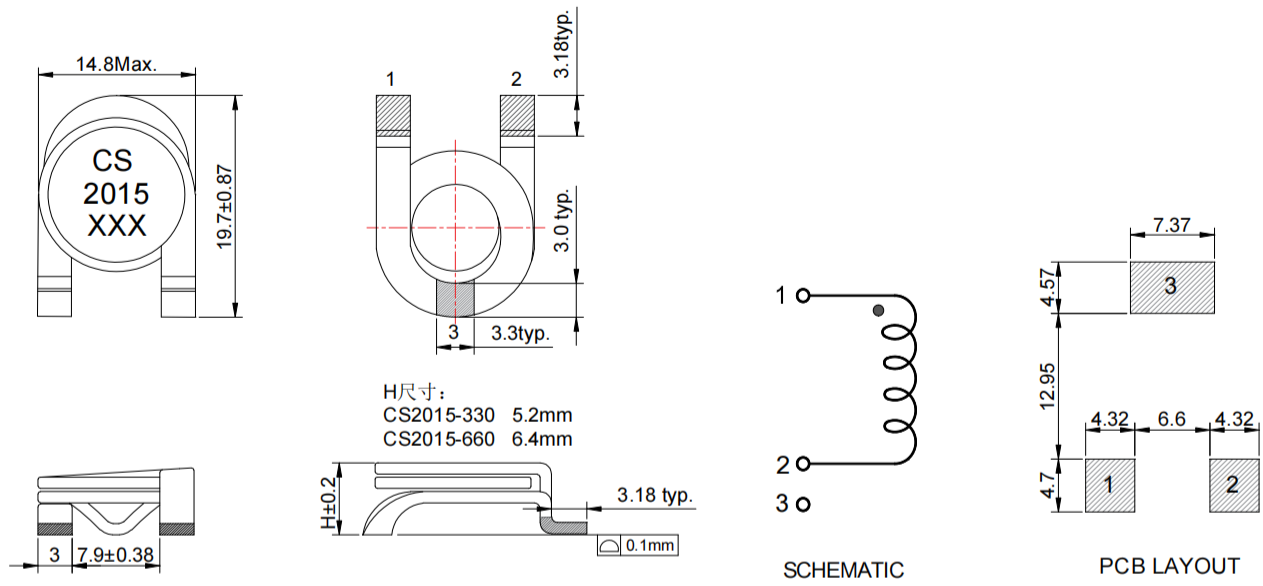
### Remark

- ① Inductance is measured with a LCR meter Agilent 4284A or equivalent.  
Test frequency at 1MHz
- ② DC resistance is measured with Keithley 580 Milliohm Meter, or equivalent. Reference ambient temperature 25°C
- ③ Q measured at the specified frequency using an Agilent/HP 4291A impedance analyzer or equivalent.
- ④ SRF measured using an Agilent E5061B network analyzer and an Agilent 16193A test fixture.
- ⑤ Current that causes the specified temperature rise from 25°C ambient. This information is for reference only and does not represent absolute maximum ratings.
- ⑥ Electrical specifications at 25°C

### 备注

- ① 感量测试采用 Agilent 4284A 数字电桥或同等仪器；  
测试频率 1MHz
- ② 直流电阻测试采用 Keithley 580 毫欧表或同等仪器；  
环境温度 25°C
- ③ Q 使用安捷伦/HP 4291A 阻抗分析仪或同等产品在指定频率下测量。
- ④ SRF 使用 Agilent E5061B 网络分析仪和 Agilent 16193A 测试夹具测量。
- ⑤ 导致指定温度从 25°C 环境温度上升的电流。此信息仅供参考，不代表绝对最大额定值。
- ⑥ 25°C 时的电气规格

Dimensions 尺寸



H尺寸:  
CS2015-330 5.2mm  
CS2015-660 6.4mm

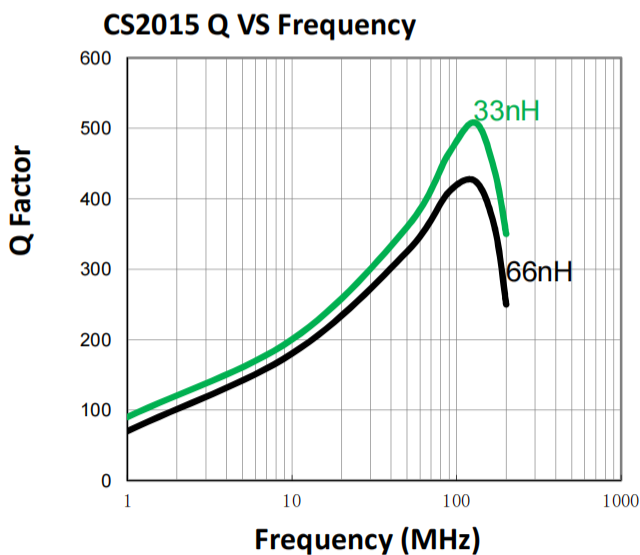
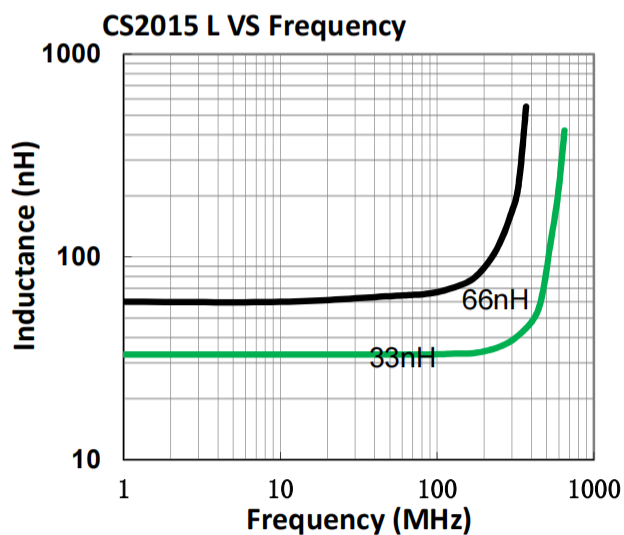
SCHMATIC

PCB LAYOUT

Terminal 3 is provided for mounting stability only. This terminal is connected to the winding of the inductor and must not be connected to ground or any circuitry.

Electrical Characteristic Curve

电气性能曲线



■ Packaging Specification - Tape and Reel: [mm]

包装规格 - 卷带包装: [mm]

