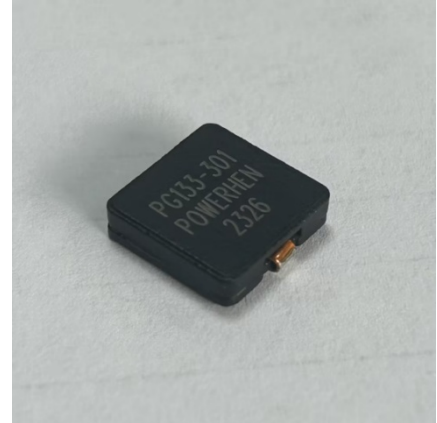


■PG133 Series

Features 特点

- Susing flat wire, and SMD type. 采用扁平线，贴片类型
- Low radiation noise by magnetically shielded construction
闭合磁路封装，低辐射
- High current, Low resistance. 大电流，低电阻
- Operating temperature : -40°C~+125°C. 工作温度：
-40°C~+125°C
- Tape and reel packaging: -40°C to +80°C 卷带包装：-40°C
至 +80°C
- Resistance to soldering heat Max three 40 second reflows at
+260°C, parts cooled to room temperature between cycles
耐焊接热最多三个 40 秒回流 +260°C，部件在循环之间冷却
至室温
- Moisture Sensitivity Level (MSL) 1 (unlimited floor life at
<30°C / 85% relative humidity)
湿气敏感度等级 (MSL) 1(在 <30°C 时的无限车间寿命/ 85%
相对湿度)



Applications 应用

- high efficiency DC/DC converters. 高效 DC/DC 转换器
- Single and polyphase buck converters. 单相、多相降压转换器
- Filter for audio applications. 音频滤波应用
- Optimized for high current boost applications. 大电流升压应用优化

Electrical characteristics 电气特性

Part number	① Inductance μH ±20%	② DC resistance mΩ		③ SRF typical MHz	④ Isat A typical			⑤ Irms A typical	
		typ	max.		10% drop	20% drop	30% drop	20°C rise	40°C rise
PG133-251ML	0.25	0.75	0.83	257	22	42	60	43	56
PG133-681ML	0.68	1.58	1.74	170	13	23	40	30	38.5
PG133-122ML	1.2	2.85	3.14	100	12	19.6	28	21	28.8
PG133-182ML	1.8	5.6	6.16	80	10	15.3	22	12	19.5
PG133-222ML	2.2	5.7	6.27	63	8	13	18	12	19.5
PG133-332ML	3.3	8.1	8.91	53	5.5	9.6	14.5	10	16.3

Remark

- ① Inductance is measured with a LCR meter Agilent 4284A or equivalent.
Test frequency at 100kHz
- ② DC resistance is measured with Keithley 580 Milliohm Meter, or equivalent.
Reference ambient temperature 25°C
- ③ SRF measured using an Agilent 4395A network analyzer and an Agilent 16193A test fixture.
- ④ DC current at 25°C that causes the specified Inductance drop from its value without current.
- ⑤ Current that causes the specified temperature rise from 25°C ambient.
This information is for reference only and does not represent absolute maximum ratings.
- ⑥ Electrical specifications at 25°C

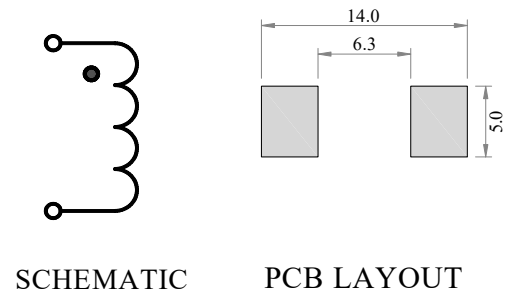
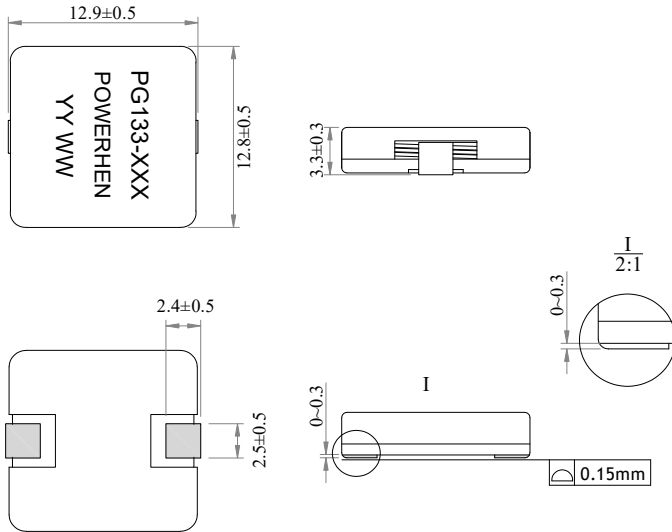
备注

- ① 电感量测试采用 Agilent 4284A 数字电桥或同等仪器；
测试频率 100kHz
- ② 直流电阻测试采用 Keithley 580 毫欧表或同等仪器；
环境温度 25°C
- ③ SRF 使用 Agilent 4395A 网络分析仪和 Agilent 16193A 测试夹具测量。
- ④ 直流电流在 25°C，加载导致指定电感从没有电流的值下降。
- ⑤ 导致指定温度从 25°C 环境温度上升的电流。此信息仅供参考，
不代表绝对最大额定值。
- ⑥ 25°C 时的电气规格

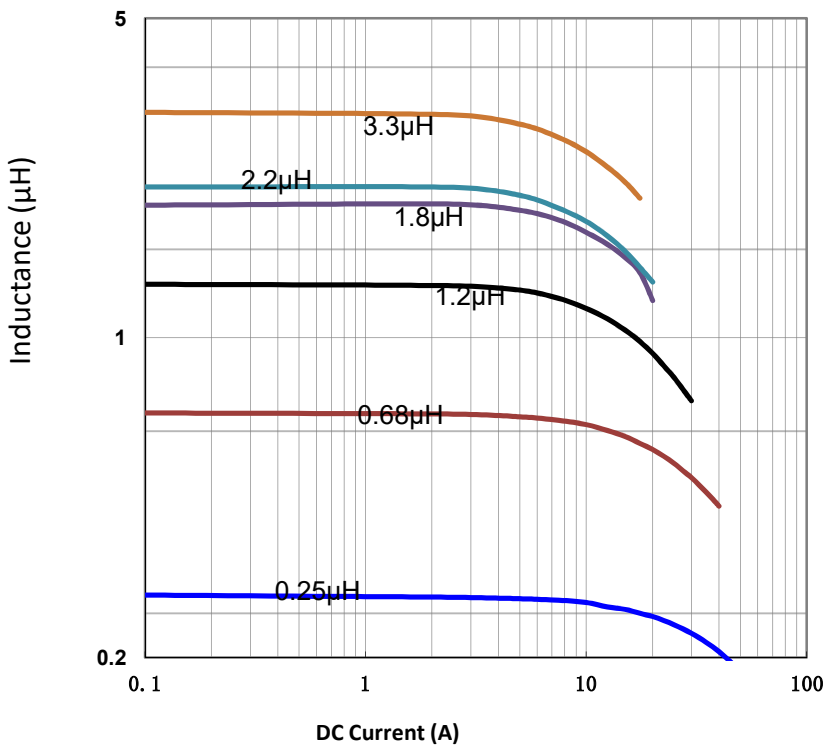
ShenZhen Powerhen Electronic Co.,Ltd

Addr: Floor 3, Building 2, Shenliang Automotive Electronic Industrial Park, Guanlan Town, Shenzhen
Tel: 0755-23570708 E-Mail: sales@powerhen.com

■ Dimensions 结构尺寸

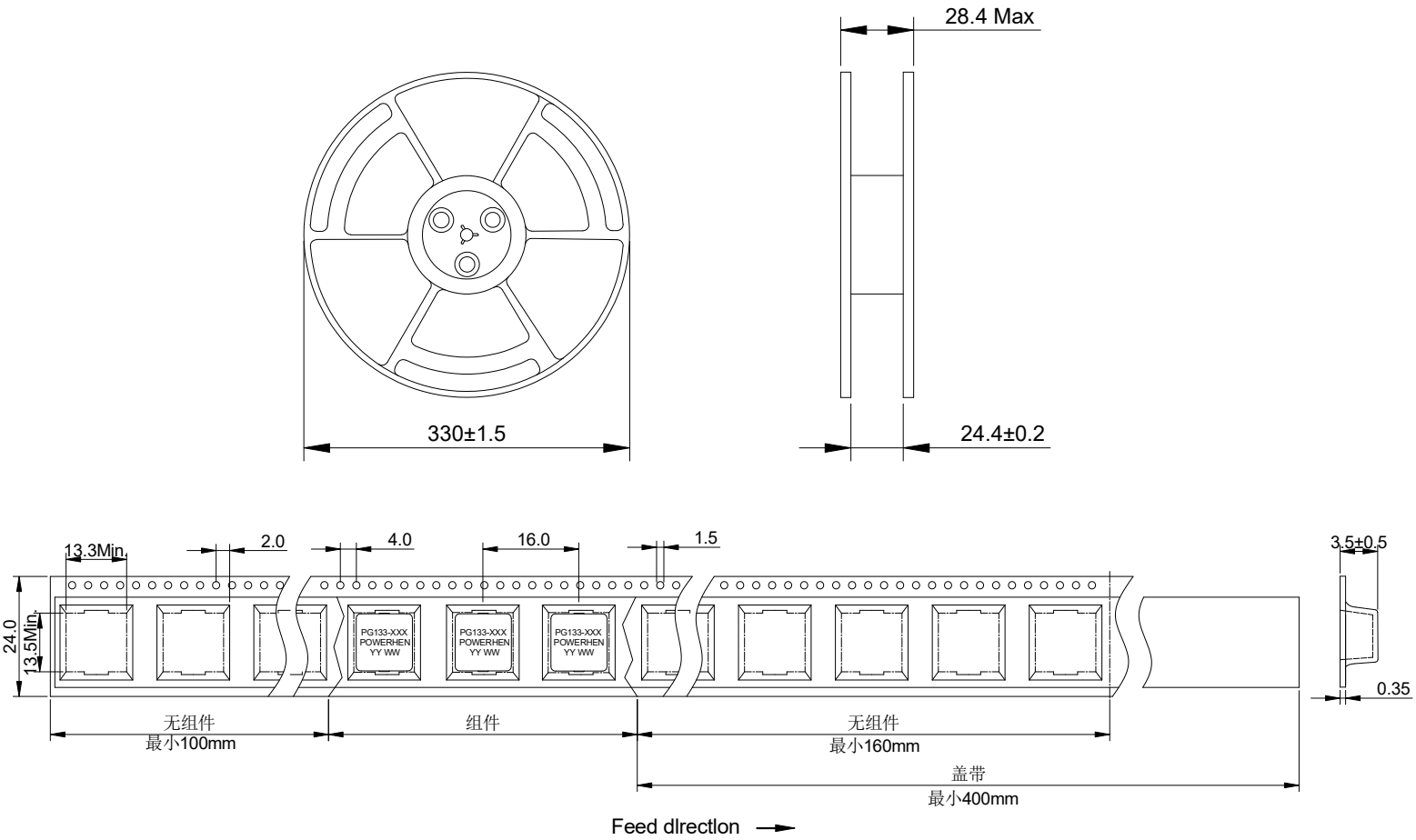


Electrical Characteristic Curve 电气特性曲线



■ Packaging Specification - Tape and Reel: [mm]

包装规格 - 卷带包装: [mm]



Weight 重量: 3.13~3.21 g/PCS

Packaging 包装数量: 400 PCS/Reel