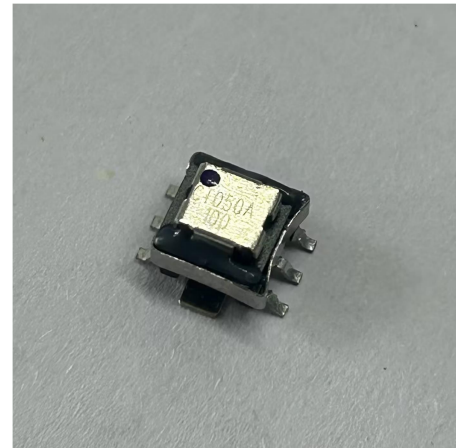


Features

- For use between 4kHz to 1 MHz.
适用于 4 kHz 至 1 MHz
- 500 Vrms, one minute isolation (hipot) winding to winding.
500 Vrms, 一分钟绝缘 (高压) 绕组到绕组
- Different turns ratios.
不同的匝比提供选择。
- Terminating resistor value is based on 1 Volt output with 40 Amps flowing through the primary. Varying terminating resistance increases or decreases output Voltage/Ampere according to the following equation:
RT (Ohms) = $V_{out} \times N_{sec} / I_{in}$
端接电阻器的值基于 1 伏输出, 其中 20 安培流经原边。可变的终端电阻根据以下公式增加或减少输出电压/安培:
RT (欧姆) = $V_{out} \times N_{sec} / I_{in}$
- RoHS compatible.
符合环保要求。
- Operating temperature : -40°C~+125°C.
工作温度: -40°C~+125°C



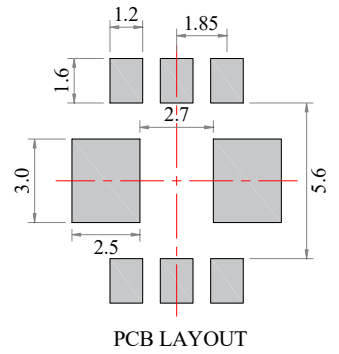
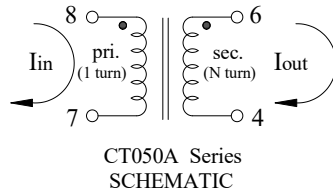
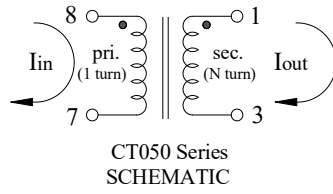
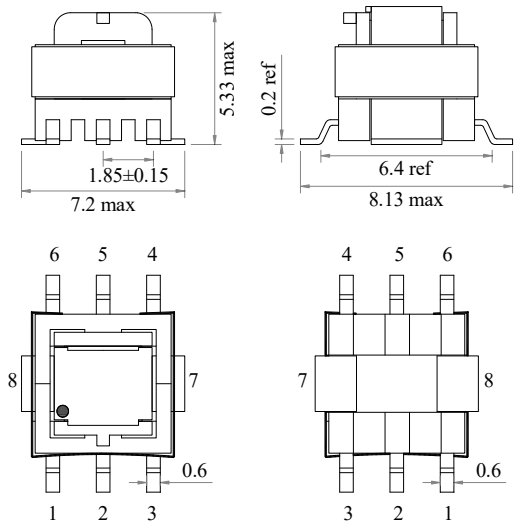
Applications

- Switching power supplies. Feedback control. Overload sensing. Load drop/shut down detection
适用于开关电源、反馈控制器、过载传感、负载降低/关闭检测等

Electrical characteristics

Part number 料号	Part number 料号	Turn ratio 匝比 Pri:sec	Inductance 最小电感 Min (μH)	DC Resistance 直流电阻		Voltage-time product 电压时间积 V·μS	Primary Rated Current 初级额定电流 A max	Frequency range 频率 KHz
				pri(Ω)ref	Sec(Ω)max			
CT050-020	CT050A-020	1:20	81	0.0006	0.40	10.0	20	46 - >1000
CT050-030	CT050A-030	1:30	180	0.0006	0.87	15.0	20	31 - >1000
CT050-040	CT050A-040	1:40	320	0.0006	1.14	20.0	20	23 - >1000
CT050-050	CT050A-050	1:50	500	0.0006	1.50	25.0	20	19 - >1000
CT050-060	CT050A-060	1:60	730	0.0006	1.98	30.0	20	15 - >1000
CT050-070	CT050A-070	1:70	980	0.0006	4.75	35.0	20	13 - >1000
CT050-100	CT050A-100	1:100	2000	0.0006	5.50	50.0	20	9 - >1000
CT050-125	CT050A-125	1:125	3000	0.0006	6.50	62.5	20	7 - >1000
CT050-200	CT050A-200	1:200	8000	0.0006	33.2	100.0	20	4 - >1000

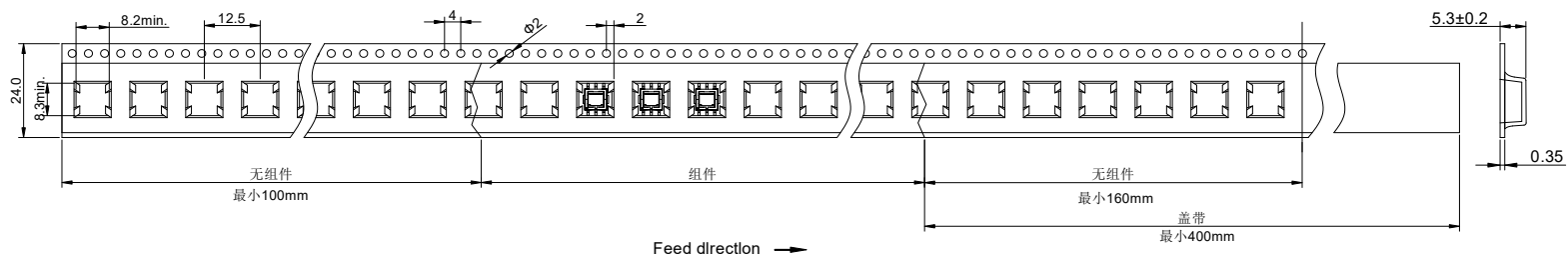
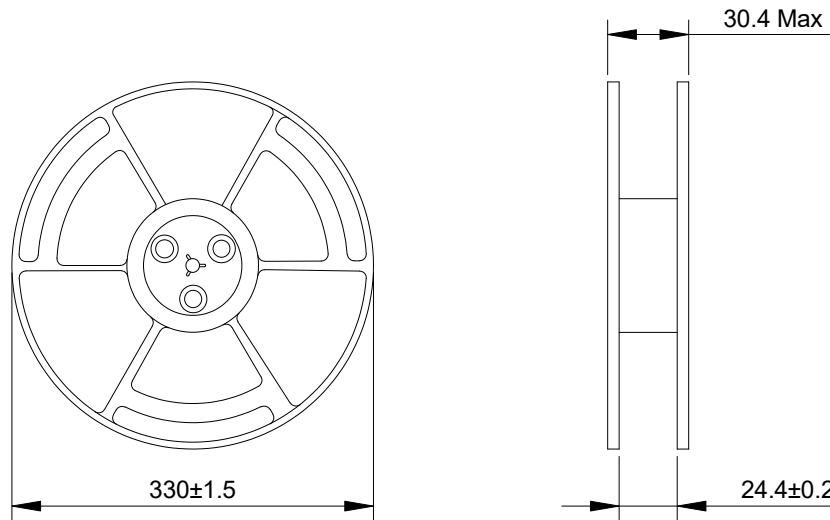
■ Dimensions



Terminating resistor $R_{m\omega}$ is based on I_{Vout} output with 20 Amps over the the pin range. Terminating resistance increases or decreases output voltage/Ampere according to the following equation: $R+ (Ohms) = Vout \times Nsec / Iin$.

■ Packaging Specification - Tape and Reel: [mm]

包装规格 - 卷带包装: [mm]



Weight 重量: 0.38g/PCS

Packaging 包装数量: 1000 PCS/Reel

ShenZhen Powerhen Electronic Co.,Ltd

Addr: Floor 3, Building 2, Shenliang Automotive Electronic Industrial Park, Guanlan Town, Shenzhen
Tel: 0755-23570708 Fax: 0755-28088656 E-Mail: sales@powerhen.com

*The specifications of the data measured in the laboratory, different conditions of use, please refer to the actual.
*The specifications are subject to change, without prior notice.
*Without approval, this product can not be used for medical military or other high-risk areas