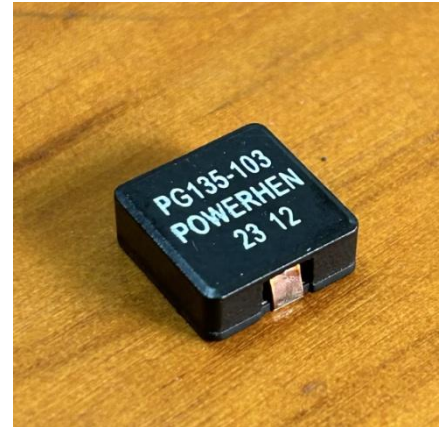


■PG135 Series

Features 特点

- Using flat wire, and SMD type. 采用扁平线，贴片类型
- Low radiation noise by magnetically shielded construction
闭合磁路封装，低辐射
- High current, Low resistance. 大电流，低电阻
- Operating temperature : -40°C~+125°C. 工作温度：-40°C~+125°C
- Tape and reel packaging: -40°C to +80°C 卷带包装：-40°C 至 +80°C
- Resistance to soldering heat Max three 40 second reflows at +260°C, parts cooled to room temperature between cycles
耐焊接热最多三个 40 秒回流 +260°C，部件在循环之间冷却至室温
- Moisture Sensitivity Level (MSL) 1 (unlimited floor life at <30°C / 85% relative humidity)
湿气敏感度等级 (MSL) 1 (在 <30°C 时的无限车间寿命/ 85% 相对湿度)



Applications 应用

- high efficiency DC/DC converters. 高效 DC/DC 转换器
- Single and polyphase buck converters. 单相、多相降压转换器
- Optimized for high current boost applications. 大电流升压应用优化

Electrical characteristics 电气特性

Part number	① Inductance μH ± 20%	② DC resistance mΩ		③ SRF typical MHz	④ Isat A typical			⑤ Irms A typical	
		typ	max.		10% drop	20% drop	30% drop	20°C rise	40°C rise
PG135-191ML	0.19	0.5	0.58	225	28.0	47.0	60.0	17.6	26.2
PG135-471ML	0.47	0.9	1.04	95	24.0	39.2	50.0	16.0	23.0
PG135-901ML	0.90	1.6	1.84	72	11.0	18.3	28.0	13.5	20.6
PG135-142ML	1.4	2.4	2.76	60	10.0	17.8	26.0	13.1	18.6
PG135-232ML	2.3	3.7	4.25	40	7.0	12.5	17.0	11.0	15.6
PG135-322ML	3.2	5.3	6.1	34	6.0	9.7	15.0	10.0	14.1
PG135-482ML	4.8	10.5	12.08	28	5.5	9.0	13.0	7.1	9.5
PG135-602ML	6.0	11.6	14.38	22	5.0	8.3	11.5	6.8	9.1
PG135-822ML	8.2	13.5	15.64	20	5.0	8.1	11.0	6.3	8.2
PG135-103ML	10.0	14.1	16.22	18	5.0	6.3	10.0	6.1	8.0

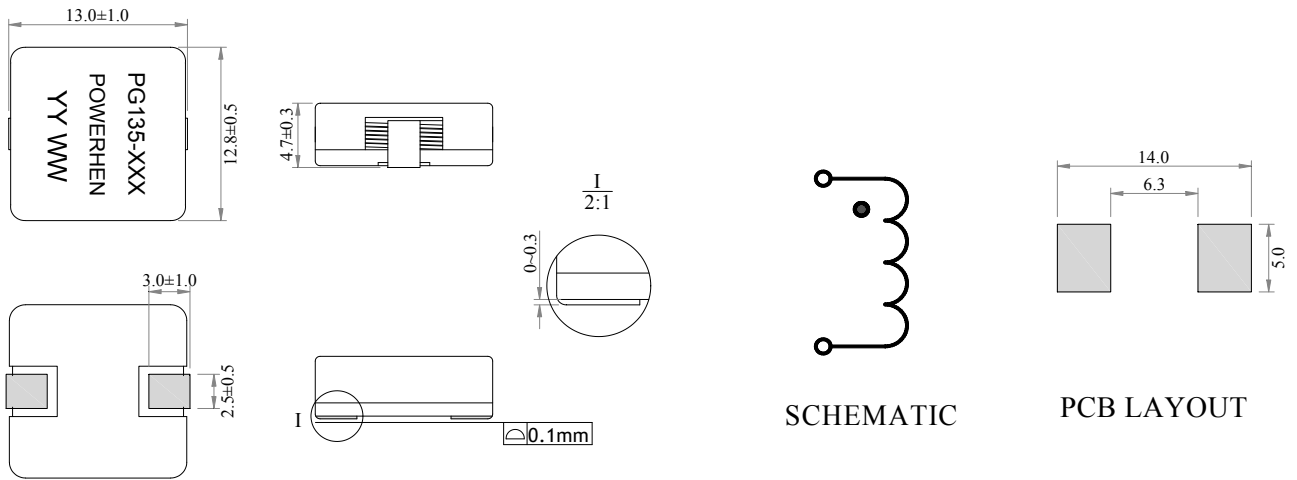
Remark

- ① Inductance is measured with a LCR meter Agilent 4284A or equivalent.
Test frequency at 100kHz
- ② DC resistance is measured with Keithley 580 Milliohm Meter, or equivalent.
Reference ambient temperature 25°C
- ③ SRF measured using an Agilent 4395A network analyzer and an Agilent 16193A test fixture.
- ④ DC current at 25°C that causes the specified Inductance drop from its value without current.
- ⑤ Current that causes the specified temperature rise from 25°C ambient. This information is for reference only and does not represent absolute maximum ratings.
- ⑥ Electrical specifications at 25°C

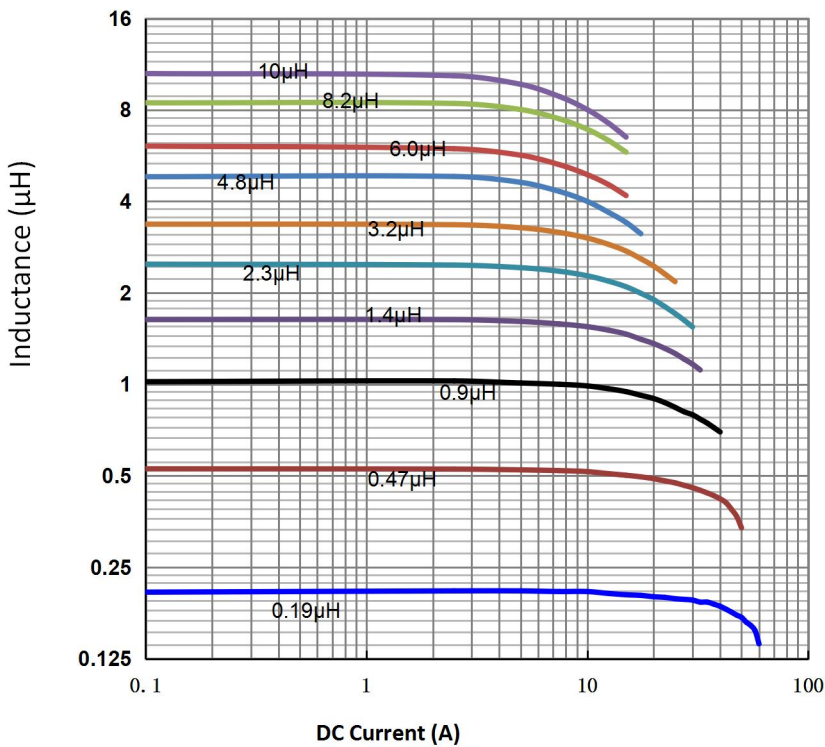
备注

- ① 电感量测试采用 Agilent 4284A 数字电桥或同等仪器；
测试频率 100KHz
- ② 直流电阻测试采用 Keithley 580 毫欧表或同等仪器；
环境温度 25°C
- ③ SRF 使用 Agilent 4395A 网络分析仪和 Agilent 16193A 测试夹具测量。
- ④ 直流电流在 25°C，加载导致指定电感从没有电流的值下降。
- ⑤ 导致指定温度从 25°C 环境温度上升的电流。
此信息仅供参考，不代表绝对最大额定值。
- ⑥ 25°C 时的电气规格

Dimensions 结构尺寸

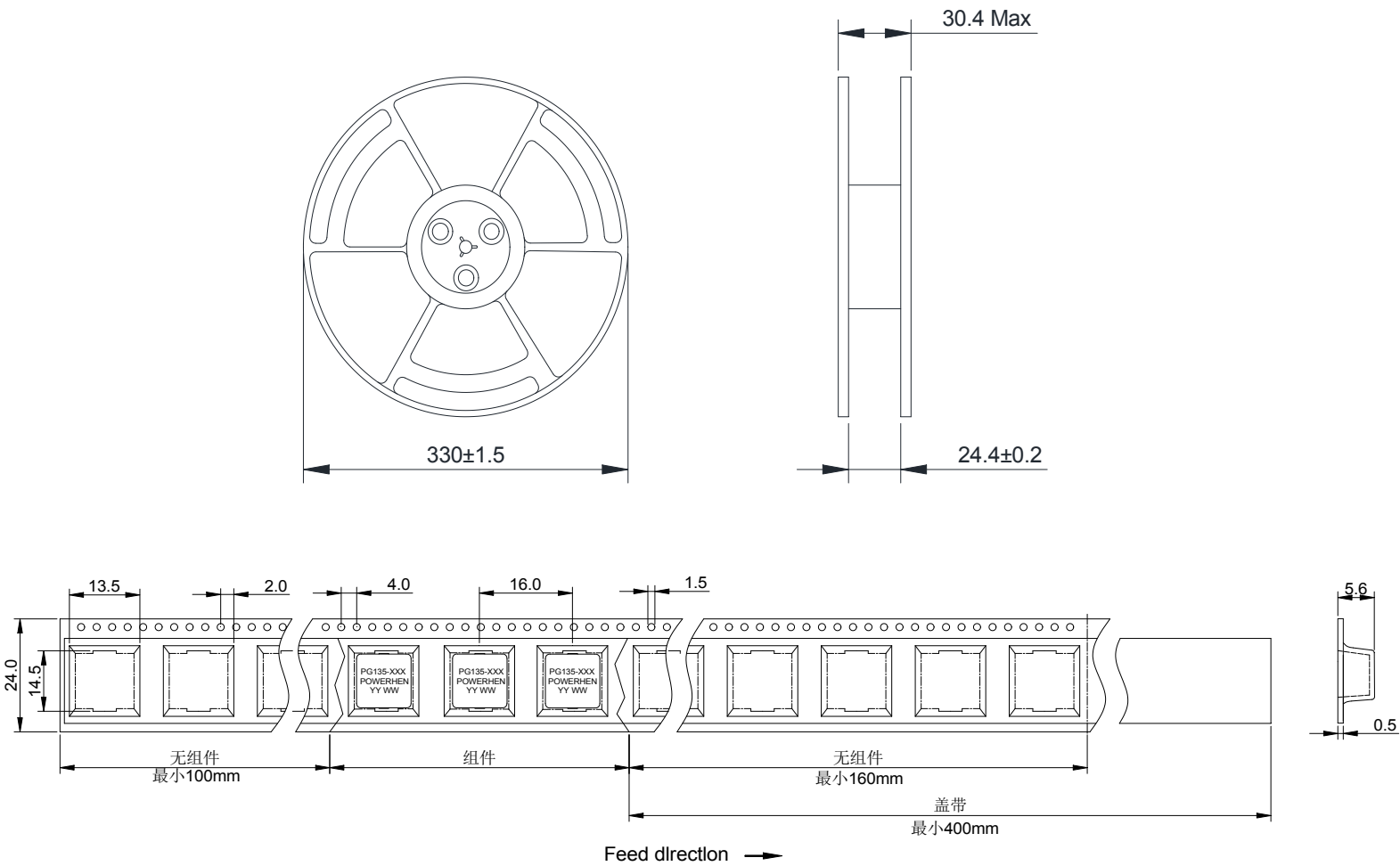


Electrical Characteristic Curve 电气特性曲线



■ Packaging Specification - Tape and Reel: [mm]

包装规格 - 卷带包装: [mm]



Weight 重量: 4.4~4.78g/PCS
 Packaging 包装数量: 1000 PCS/Reel