

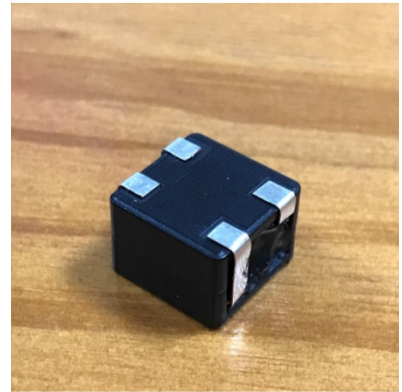
## PMS1310

## SMD Coupled Flat wire Inductor

## 贴片耦合扁平线电感

## Features 特点

- Core material: Powdered iron.  
芯材: 铁粉
- Flat wire Coupled inductor  
扁平线耦合电感器
- Low inductance drift over temperature  
电感随温度变化的低波动
- Coupled inductor with two identical windings More variants due to parallel and series connection possible  
两个相同绕组的耦合电感器通过并联和串联连接, 可提供更多变体
- Operating temperature :  $-40^{\circ}\text{C}\sim+125^{\circ}\text{C}$ .  
工作温度:  $-40^{\circ}\text{C}\sim+125^{\circ}\text{C}$



## Applications 应用

- High power switching regulators 大功率开关稳压器
- 1:1 flyback converter 1: 1 反激式转换器
- Buck, Boost, Sepic and Cuk Converter Buck, Boost, Sepic 和 Cuk 转换器
- Switching regulators with second unregulated output voltage 具有第二个非稳压输出电压的开关稳压器
- Battery Cell Charging Balancer 电池充电平衡器

## Electrical characteristics 电气特性

| Part number<br>料号 | Inductance①<br>电感量<br>$\mu\text{H}\pm 20\%$ | DCR②<br>直流电阻 $\text{m}\Omega$ |      | SRF③<br>自谐频率<br>MHz | Isat (A)④<br>温升电流 |                           | Turns Ratio 匝比 |
|-------------------|---|-------------------------------|------|---------------------|-------------------|---------------------------|----------------|
|                   |   | max.                          | typ. |                     | Drop 30%          | Rise $40^{\circ}\text{C}$ |                |
| PMS1310-801ML     | 0.8   | 1.78                          | 1.6  | 70                  | 62                | 28                        | 1:1            |
| PMS1310-122ML     | 1.2   | 2.65                          | 2.4  | 58                  | 42                | 23                        | 1:1            |
| PMS1310-172ML     | 1.7   | 3.65                          | 3.3  | 44                  | 39                | 21                        | 1:1            |
| PMS1310-172ML     | 2.2   | 4.65                          | 4.2  | 34                  | 35                | 18                        | 1:1            |
| PMS1310-292ML     | 2.9   | 6.2                           | 5.6  | 25                  | 29                | 17                        | 1:1            |
| PMS1310-352ML     | 3.5   | 8.25                          | 7.5  | 21                  | 27                | 14                        | 1:1            |
| PMS1310-442ML     | 4.4   | 10.6                          | 9.6  | 18                  | 24                | 12                        | 1:1            |

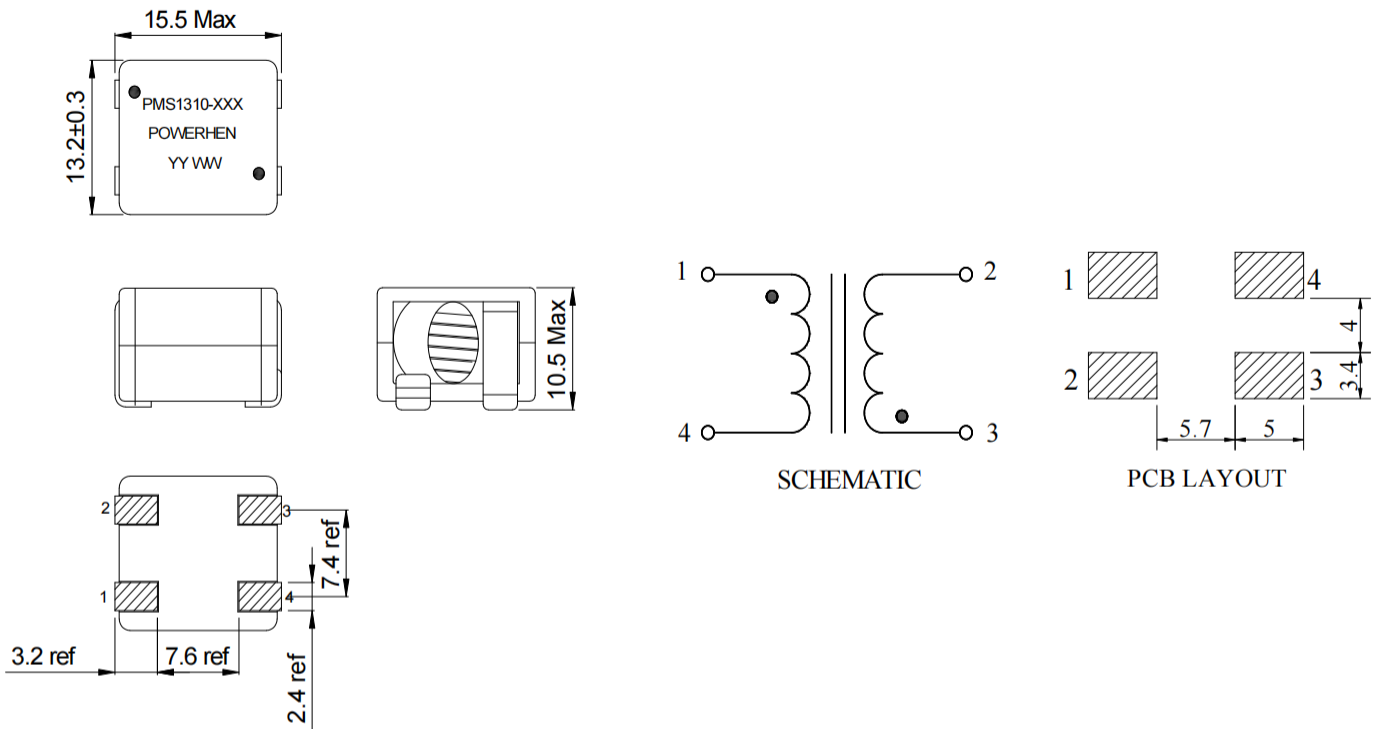
## Remark

- ① Inductance is measured with a LCR meter Agilent 4284A or equivalent.  
Test frequency at 100kHz
- ② DC resistance is measured with Keithley 580 Milliohm Meter, or equivalent.  
Reference ambient temperature  $25^{\circ}\text{C}$
- ③ SRF measured using an Agilent 4395A network analyzer and an Agilent 16193A test fixture.
- ④ DC current at  $25^{\circ}\text{C}$  that causes the specified inductance drop from its value without current.
- ⑤ Current that causes the specified temperature rise from  $25^{\circ}\text{C}$  ambient. This information is for reference only and does not represent absolute maximum ratings.
- ⑥ Electrical specifications at  $25^{\circ}\text{C}$

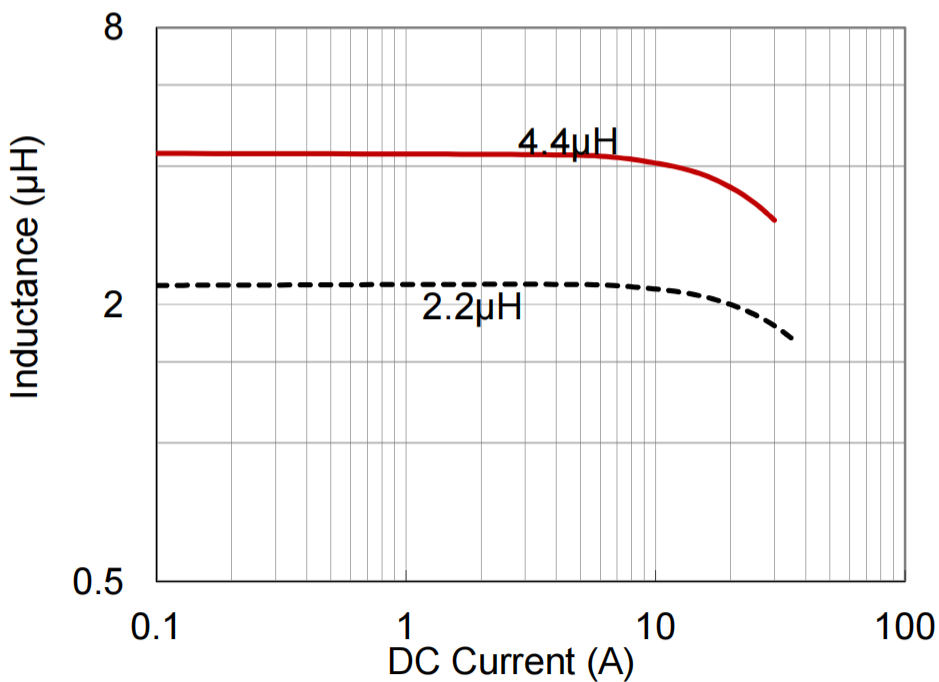
## 备注

- ① 电感量测试采用 Agilent 4284A 数字电桥或同等仪器; 测试频率 100kHz
- ② 直流电阻测试采用 Keithley 580 毫欧表或同等仪器; 环境温度  $25^{\circ}\text{C}$
- ③ SRF 使用 Agilent 4395A 网络分析仪和 Agilent 16193A 测试夹具测量。
- ④ 直流电流在  $25^{\circ}\text{C}$ , 加载导致指定电感从没有电流的值下降。
- ⑤ 导致指定温度从  $25^{\circ}\text{C}$  环境温度上升的电流。此信息仅供参考, 不代表绝对最大额定值。
- ⑥  $25^{\circ}\text{C}$  时的电气规格

Dimensions 结构尺寸

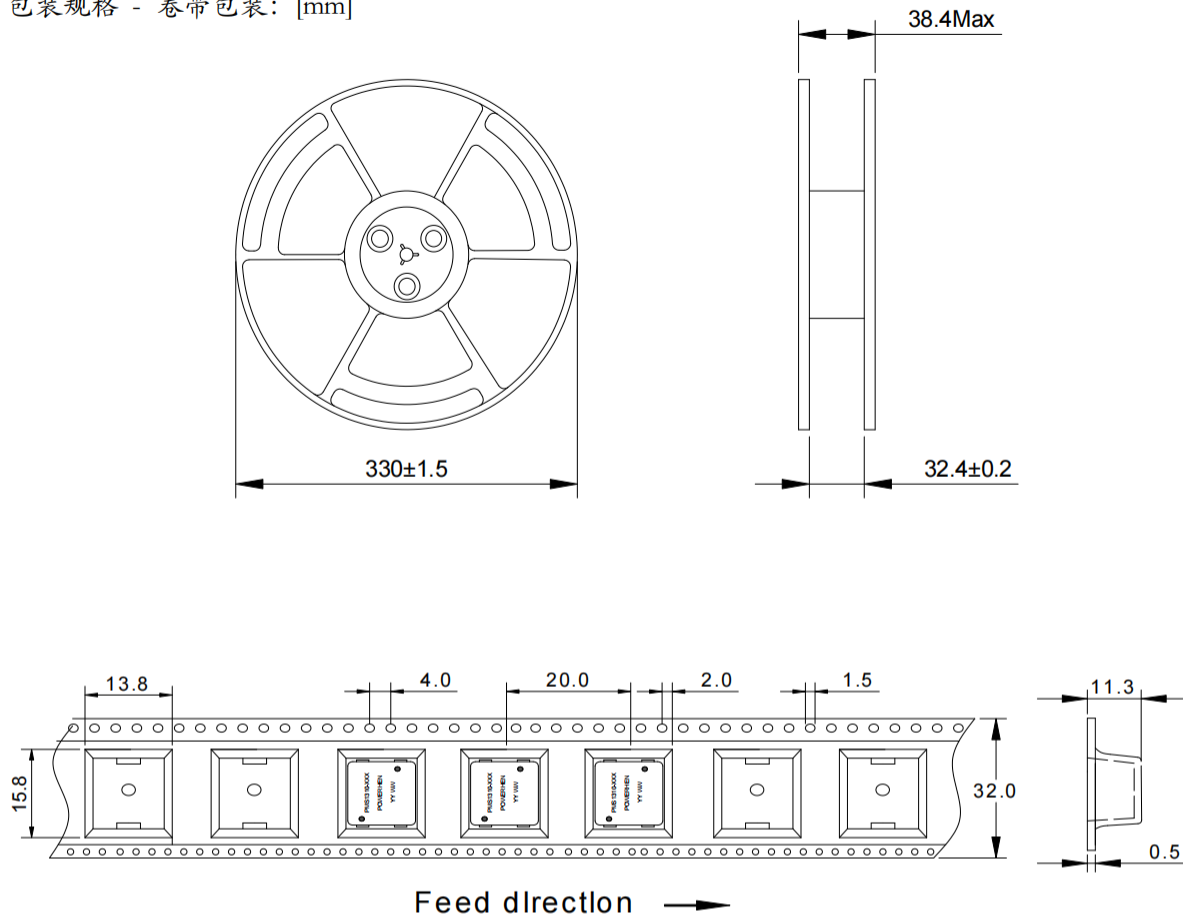


Electrical Characteristic Curve 电气特性曲线



■ Packaging Specification - Tape and Reel: [mm]

包装规格 - 卷带包装: [mm]



Weight 重量: 7.38~7.77g/PCS

Packaging 包装数量: 300 PCS/Reel