

■PG75 Series

Features 特点

- Susing flat wire, and SMD type. 采用扁平线，贴片类型
- Low radiation noise by magnetically shielded construction
闭合磁路封装，低辐射
- High current, Low resistance. 大电流，低电阻
- Operating temperature : -40°C~+125°C. 工作温度: -40°C~+125°C
- Tape and reel packaging: -40°C to +80°C 卷带包装: -40°C 至 +80°C
- Resistance to soldering heat Max three 40 second reflows at +260°C,
parts cooled to room temperature between cycles
耐焊接热最多三个 40 秒回流 +260°C, 部件在循环之间冷却至室温
- Moisture Sensitivity Level (MSL) 1 (unlimited floor life at <30°C /
85% relative humidity)
湿气敏感度等级 (MSL) 1 (在 <30°C 时的无限车间寿命/ 85% 相对湿度)



Applications 应用

- high efficiency DC/DC converters. 高效 DC/DC 转换器
- Single and polyphase buck converters. 单相、多相降压转换器
- Filter for audio applications. 音频滤波应用
- Optimized for high current boost applications. 大电流升压应用优化

Electrical characteristics 电气特性

Part number	① Inductance μH ±20%	② DC resistance mΩ		③ SRF typical MHz	④ Isat A typical			⑤ I _{rms} A typical	
		typ	max.		10% drop	20% drop	30% drop	20°C rise	40°C rise
PG75-241ML	0.24	1.0	1.1	320	20	26	34	25	33
PG75-471ML	0.47	1.35	1.48	235	11.2	18	24	23	28.8
PG75-761ML	0.76	2.25	4.07	200	9	13	17	14	19.2
PG75-112ML	1.1	3.15	3.46	135	8	11.8	15.4	11	14.4
PG75-152ML	1.5	4.3	4.7	110	6	8	11	8.5	11.8
PG75-202ML	2.0	5.85	11.6	68	4.8	7.2	9	7.5	9.6
PG75-332ML	3.3	9.0	9.9	68	4.1	6	8.2	6.5	8.7
PG75-492ML	4.9	14.5	16	56	3.2	4.9	6.5	5.2	6.9
PG75-652ML	6.5	21.5	23.6	50	3.1	4.7	6.2	4.2	5.9
PG75-762ML	7.6	28.2	31	48	2.7	4	5.4	2.7	3.8
PG75-852ML	8.5	30.5	33.5	44	2.5	3.85	5	2.5	3.6
PG75-103ML	10	33	36	40	2.4	3.8	4.5	2.2	3.3

Remark

- ① Inductance is measured with a LCR meter Agilent 4284A or equivalent.
Test frequency at 100kHz
- ② DC resistance is measured with Keithley 580 Milliohm Meter, or equivalent.
Reference ambient temperature 25°C
- ③ SRF measured using an Agilent 4395A network analyzer and an Agilent 16193A test fixture.
- ④ DC current at 25°C that causes the specified Inductance drop from its value without current.
- ⑤ Current that causes the specified temperature rise from 25°C ambient. This information is for reference only and does not represent absolute maximum ratings.
- ⑥ Electrical specifications at 25°C

备注

- ① 电感量测试采用 Agilent 4284A 数字电桥或同等仪器；
测试频率 100KHz
- ② 直流电阻测试采用 Keithley 580 毫欧表或同等仪器；
环境温度 25°C
- ③ SRF 使用 Agilent 4395A 网络分析仪和 Agilent 16193A 测试夹具测量。
- ④ 直流电流在 25°C, 加载导致指定电感从没有电流的值下降。
- ⑤ 导致指定温度从 25°C 环境温度上升的电流。此信息仅供参考，不代表绝对最大额定值。
- ⑥ 25°C 时的电气规格

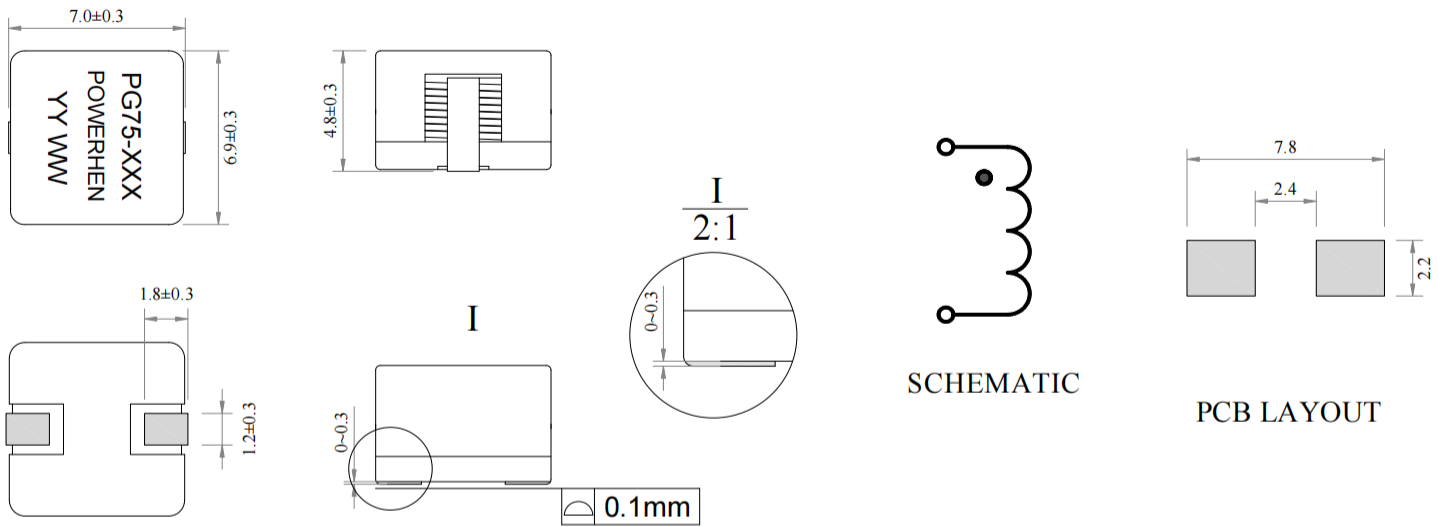
ShenZhen Powerhen Electronic Co.,Ltd

Addr: Floor 3, Building 2, Shenliang Automotive Electronic Industrial Park, Guanlan Town, Shenzhen
Tel: 0755-23570708

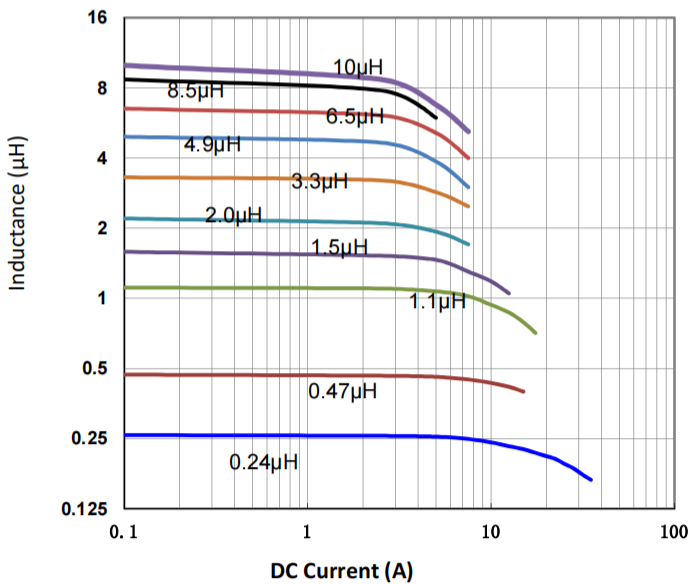
E-Mail: sales@powerhen.com

2022-7

Dimensions 结构尺寸

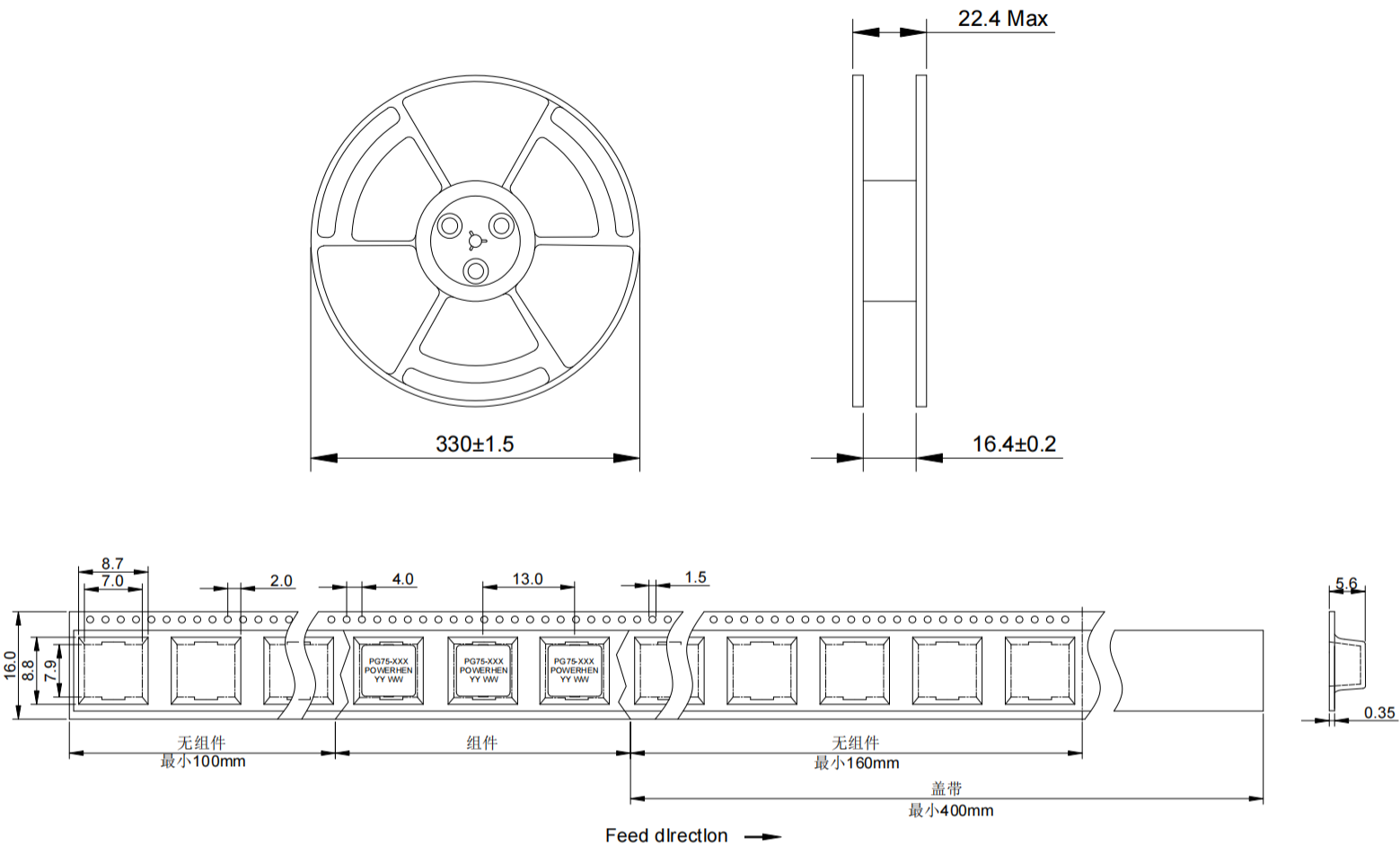


Electrical Characteristic Curve 电气特性曲线



■ Packaging Specification - Tape and Reel: [mm]

包装规格 - 卷带包装: [mm]



Weight 重量: 0.98~1.12g/PCS

Packaging 包装数量: 1000 PCS/Reel